

AQUAMERIK

Operating instructions AQU-05 surface aerator



Aquamerik inc.

1410, Rue Thomas-Powers, Levis (QC) G7A 0P9 CANADA

Version - september 2020

Introduction

The AQUAMERIK aerator is a system for the recirculation and oxygenation of water. This document will explain the following information:

- safety instructions;
- general instructions for the user;
- instructions for the setup and use of the aerator;
- specifications and identifications of each part ;
- instructions regarding the start-up box (older models);
- instructions regarding the maintenance;
- the warranty.

If you need more information about any of these instructions, you can contact one of our technicians at Aquamerik by phone at 1-888-278-4776 or at 418-831-1333; Fax: 418-831-2882. You can also visit our website: <https://www.aquamerik.com>.

Safety instructions

Please read the following safety and operating instructions regarding our Aquamerik aerator. The total respect of these instructions will guarantee your safety and will give your aerator the best performance you could hope for.

- No individual must go into the water when the electric device is plugged or in operation.
- You must take extreme caution when you use or displace an electric device.
- Never use this device without water, this could damage the waterproof gaskets and could threaten the security of the user.
- You must be extremely careful when you are operating on the edge of a water source, especially during spring, autumn and winter.
- Never pull/drag the aerator with its electric plug. If you need to bring the aerator on the edge of the water source, use the ropes made for this purpose.
- Do not use waders/long pants in lakes/ponds and other deep water sources, in high slopes or soft river beds.
- Do not use any boat that can easily capsize when you are setting up your aerator, for example a canoe. You must follow all of the safety rules regarding the use of a boat, with a lifejacket included.
- The start-up boxes must be installed at a minimum of 10 feet (3 meters) from the interior side of the basin, unless if separated from water with a permanent barrier that blocks anyone from reaching the panel from the water source.
- The aerator and startup boxes must be installed by a qualified electrician.
- A «ground fault» type circuit breaker should be inspected for each setup, then once a month to guarantee an effective operation.

General instructions for the user

+> PACKAGE(S) INSPECTION

Once you have received your package, inspect it for any damage you could find. Make sure that all ordered parts are included in the package. If any part is missing, you must immediately contact Aquamerik. If any damage is visible, you must report it to the carrier and then to Aquamerik.

WARNING: No individual must go into the water under ANY circumstances when the device is operating. Always use the aerator in the water and clear any individual or object from the propeller. Always take extreme caution when you are operating an electric device in a water source.

+> AERATOR ASSEMBLY AND SETUP

Please refer to the assembly and setup instructions included with this booklet. Note: It is mandatory to test the circuit breaker of the startup box during every setup / re-setup of the device in order to make sure it is working properly (supplied and installed by an electrician).

+> WARRANTY

The Aquamerik aerators are the final result of many years of development. They are conceived to resist harsh weather. Aquamerik covers each aerator for a period of one year. The Grundfos motors are guaranteed for two years. This warranty covers any manufacturing defect for a period of one year following the date of purchase. You will find details about the warranty at the end of this booklet.

+> USAGE AND OPERATION

The Aquamerik aerators are developed and made for continuous operations, for example in fish farming or any other aquaculture activity, but also for various on-request operations required for many aquatic activities, personal or public.

The Aquamerik aerator is a system for the recirculation and oxygenation of water. The design of this aerator allows for minimal maintenance during the period of use. Its efficiency needs no demonstration, hundreds of models have been sold in fish farming areas during the last years. This aerator reduces by 20 times the level of CO². It reduces the temperature of your pond during periods of hot weather which allows to increase the oxygen level. Silent and aesthetic, the water aerator gives back to your water source its natural look. Start-up box, waterproof gasket and wire (2 feet) included.

Since Aquamerik takes great care about the quality of its products, for the last several years we have been offering our aerators with a nylon propeller which is fixed onto the motor with the help of a stainless steel adapter made for this purpose. You do not need to drill the motor in order to replace it. In the same time, this procedure eliminates any risk of vibration on the motor shaft and expands the lifespan of our aerators.

When the aerator is operating, the water is suctioned at 360 degrees around the device and under it in order to be projected in the air through the aerator float.

Your aerator is now ready for immediate use (after setup). Take care to remove any seaweed or solid matter found on your motor before use. (See the maintenance recommendations)

The Aquamerik surface aerators are light, energy efficient, simple of use and easy to install. We put the highest amount of efforts in the development of high quality products and we wish you the greatest satisfaction with your Aquamerik surface aerator.

Specifications

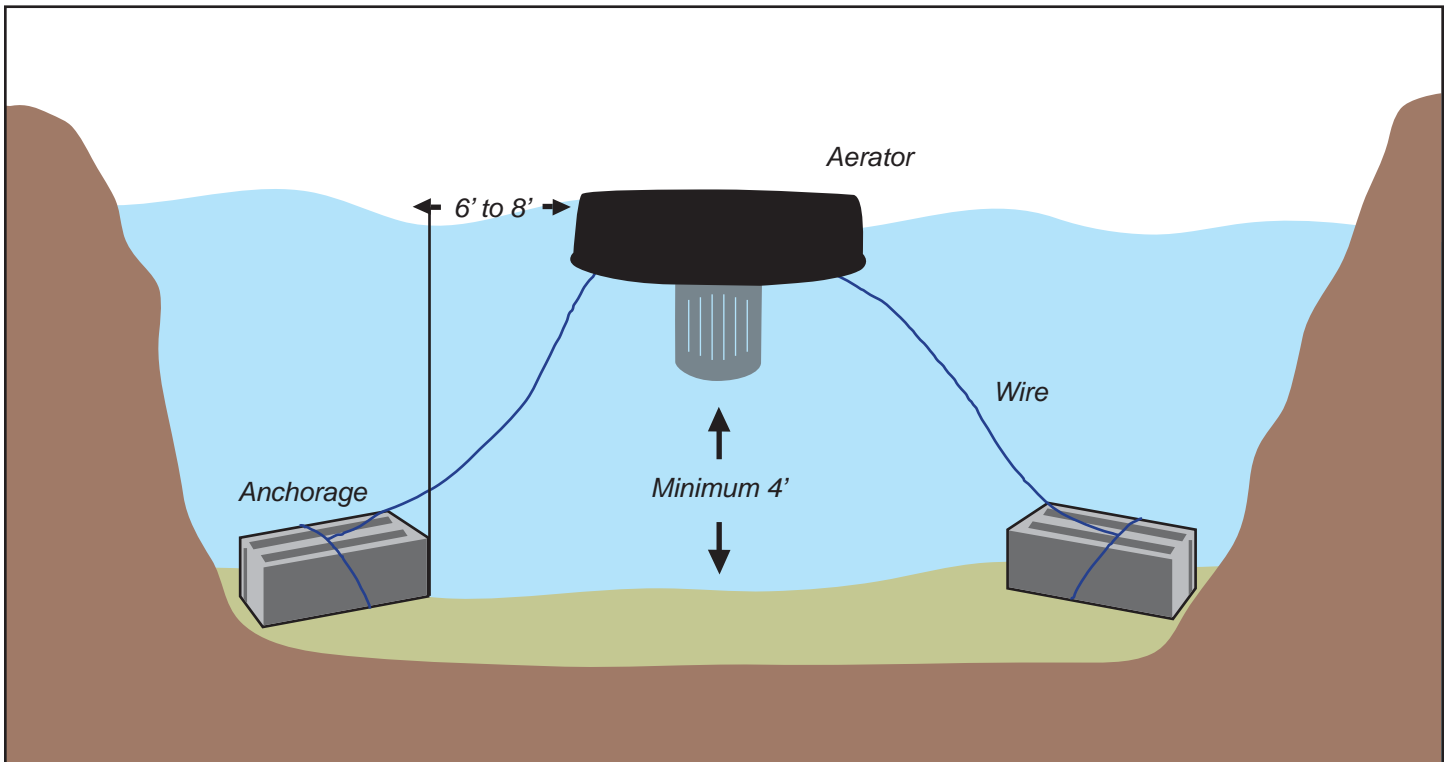
ITEM	VOLTS	HP	MAX AMPERE	CABLE *	CAPACITY	OXYGEN TRANSFERT
AQU-05-115-3	115	1/2	12	3 conductors	36 000 GPH	341 g/h
AQU-05-230-3	230	1/2	6	3 conductors	36 000 GPH	341 g/h

(*) Black / red / green cable.

Setup instructions

Use regular ropes in order to place the aerator anywhere you wish on the pond, lake or reservoir. Attach them like illustrated below without giving them too much force or softness. This aerator must be used when you have at least 4' (feet) of water below.

It is highly recommended to protect the submerged part of your power cord with a PVC hose. This will prevent small rodents or other animals to damage the cord. Do not put any tension on the power cord to avoid destabilisation of the aerator float.



NOTE: Some non-included accessories will be necessary for the setup of your aerator.

- Two submersible anchorages (concrete construction blocks);
- Two ropes to fix the aerator to its anchorages;
- PVC or polyethylene hose to protect your power cord.

Start-up box: older models only (AQU-05-115-4 & AQU-05-230-4).



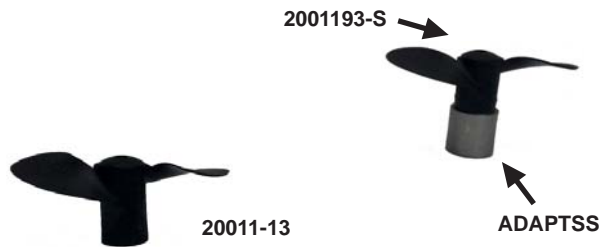
Accessories and parts



Separate parts for aerators

ITEM	DESCRIPTION
2001193	Propeller engineered like the old model (white).
FLOTTEUR-F	Aerator float made of fibre.
BRA-05	Stainless steel motor stand.
PAI-4**	Stainless steel basket (1/4" x 4" openings).
HS4	Submersible seal.

(**) Standard with 2018 and + aerators.



Optional parts for aerators

ITEM	DESCRIPTION
2001193-S	Propeller + stainless steel adapter (for aerators made before 2014).
20011-13	Propeller only (for aerators made after 2014).
ADAPTSS	Stainless steel adapter (spline).
PAI-1	Stainless steel basket, for aerators 2017 and before (1/2" x 1/2" grids).
PAI-2	Stainless rod basket (2" - 3" trouts), 0.3" / 7.6mm separation between holes.
PAI-3	Stainless rod basket (6" and + trouts), 1" / 25mm separation between holes.
MSF-05-115-02	Submersible motor (1/2 HP 115 volts, 2 + 1 wires).
MSF-05-115-03	Submersible motor (1/2 HP 115 volts, 3 + 1 wires).
MSF-05-230-02	Submersible motor (1/2 HP 230 volts, 2 + 1 wires).
MSF-05-230-03	Submersible motor (1/2 HP 230 volts, 3 + 1 wires).

Start-up box installation

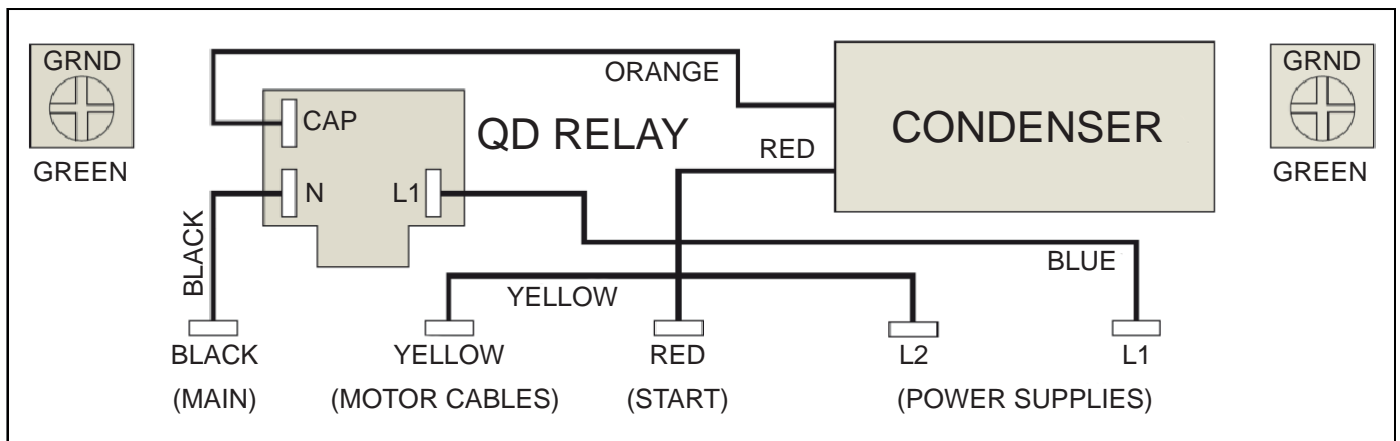
** (Older models only) **

Make sure that the start-up box is fixed correctly onto a wall / pole in vertical position (to ensure that the housing is waterproof). The electric connection to the start-up box must be done by an electrician or a person qualified and responsible for this procedure. It is highly recommended to connect the start-up box to an independent circuit breaker.

WARNING

The unit must be connected to a circuit breaker which is A-rated for ground conductor and "Ground fault" type. This is done in order to eliminate any risk of electric shock.

Circuit diagram for the start-up box:



Maintenance instructions

No individual must go into the water under any circumstances when the device is operating. Turn off and unplug the electric outlet before any maintenance operation.

Ground fault type switches (GFI) are safety devices that can warn you when there is a problem with the electric connection. It is very important to test the GFI for every installation, and once a month to make sure it works properly. If your GFI goes off repeatedly, you should unplug the device and remove it from the water for inspection. Check for any default with your power supply and call Aquamerik if you need more information on what to do with your device.

If the power supply is broken, it must be replaced by an authorized assistance service or any qualified person with similar skills in order to avoid any risk of injury.

+> ** WINTER STORAGE **

In cold climate regions, it is extremely recommended to remove the surface aerator from the water in order to protect the device from the pressure caused by ice. It is also necessary to store the motor inside a water source (at the bottom of a lake or in a water barrel). It should be store away from any contact with the sunlight.

+> NEVER

Operate the motor during periods of cold weather where the temperature is below the freezing point to avoid any irreversible damage, which is not covered by the warranty.

+> MAINTENANCE

The device must be removed from the water at least once every year (end of season for cold climate regions) to clean the exterior part of the aerator, particularly the stainless steel motor housing. The motor housing is the surface that rejects the heat caused by the motor into the water, and any substance that could go in the housing would isolate the motor and block the heat exchange. In warmer regions, it is recommended to remove and clean the motor at least two or three times a year, depending on the conditions. In most cases, a simple low-pressure water jet is enough to remove seaweeds if they are humid enough.

+> VERIFICATION

The equipment must be inspected regularly (ideally once a day) in order to check for any changes in the performance of your device. If you notice any decrease in the performance of your aerator, you should unplug it immediately and look for any material that could block the grid or prevent the transmission shaft from working properly (look out for plastic bags, fishing wires or seaweeds).

Even if the Aquamerik surface aerators are among the most reliable devices on the market, it is literally impossible to protect them against all suspicious materials that can block the device while maintaining a permanent water flow. These materials could be extremely harmful for your equipment while in operation and they should be removed as soon as possible.

ALWAYS UNPLUG THE AERATOR BEFORE CLEANING IT UP.

Warranty information

Dear consumer,

Congratulation and thank you for purchasing a high quality product from Aquamerik. This product was made with care and inspected by our staff and those who manufactured it. To help us improve our customer service for the benefit of our team and customers, we ask you to take several minutes of your time to fill the information regarding the warranty. This document is the ultimate proof that your aerator is under our warranty and your device will be registered for future reference.

Warranty

Aquamerik inc. guarantees all parts against material and manufacturing defects and agrees to rectify any problem of this nature. This warranty covers all parts for 1 year starting from the date of purchase. With this warranty, every part can be replaced by a new or refurbished one at the Aquamerik store.

This warranty does not cover products that were installed incorrectly, used for purposes for which the device was not conceived for, misused by the user, if there are visible damages due to shipping, any modification or reparation that could affect the liability or reduce the performance of the device.

Aquamerik inc will not be, under any circumstances, responsible for special/secondary damages or regarding the violation of the warranty contract, negligence or any other legal theory. Special damages include, but are not limited to, loss in profit or revenue, loss in the use of the product and related equipment, capital loss or the total cost for the replacement equipment, conditions or services, any loss caused by closure, or complaints from customers of the buyer regarding special damages.

Service warranty

The service warranty can be claimed by contacting any seller. To obtain the location of one seller that guarantees the service warranty, please refer to the manufacturer. An original purchase receipt will be required before applying the service warranty.

Buyer: _____

Address: _____

Phone: _____

Fax: _____

Model number: AQU-05- ____ - ____

Serial number (on the motor): PC. P_ _____

Receipt number: _____

Date of purchase: _____

Seller: _____

If you intend to ship this product to a service centre, pack the item carefully, preferably inside the original package and ship the prepaid and insured item. Please include the reasons regarding the problem with your device with the original purchase proof and your contact details so that an employee can contact you.